



I Applications

The Hyginox SN pump is a centrifugal stainless-steel pump suitable for motor assembly according to the USA NEMA standards.

This pump is specially designed for the dairies, beverages, and food-processing, as well as CIP supply and auxiliary services in the chemical industry.

I Operating principles

Housed inside the casing, the impeller rotates in conjunction with the pump shaft.

With this arrangement, the impeller blades convey energy to the fluid in the form of kinetic energy and pressure energy.

This pump is not reversible by simple reversal of the direction of rotation. The direction of rotation is clockwise when the pump is viewed from the rear side of the motor.

I Design and features

Casing manufactured with cold-formed plate.

Clamp connections

Open impeller manufactured with stainless steel investment casting technology.

Mechanical seal according to DIN 24960 L1K

Pump certified according to 3A sanitary standards.

Suitable for NEMA-C motors.

I Materials

Parts in contact with pumped media:

AISI 316L

Other parts

AISI 304

Gaskets (standard)

EPDM (FDA)

Mechanical seal (standard)

C/SiC/EPDM

Lantern

GG-15

Inside surface finishing

Ra ≤ 0.8 μm

Outside surface finishing

Mirror polished

I Options

Mech.seal in C/St.St and SiC/SiC

Gaskets in FPM (Viton®) and PTFE

Self-priming casing

Drainage connection

Stainless steel motor

Trolley and/or electric panel

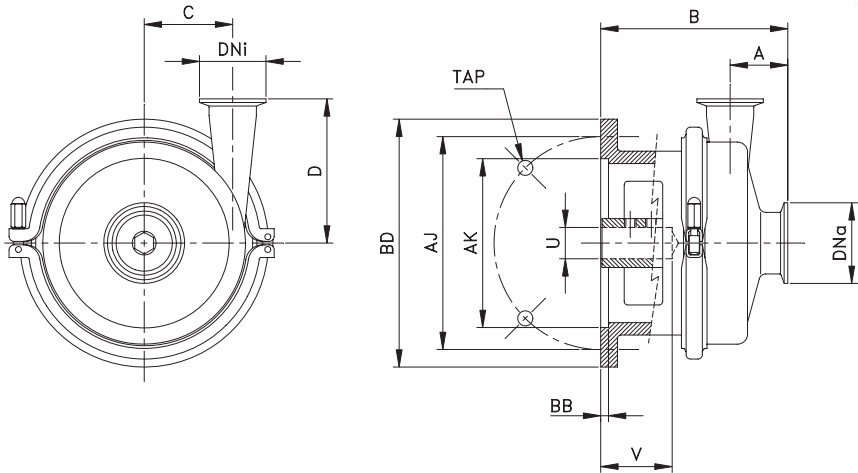
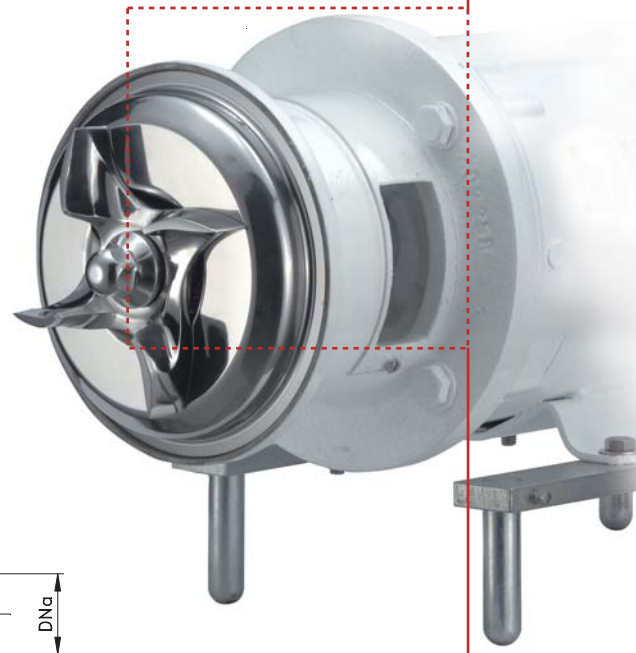
Stainless steel legs

Open Impeller



I Technical specifications

Max. flow	150 m ³ /h / 660 GPM
Max. head	100 mcl / 328 ft
Max. suction pressure	4 bar / 58 PSI
Max. working temp.	120 °C / 248°F
Max. speed	3500 min ⁻¹



PUMP TYPE	Motor Size	Dna	DNi	A	B	C	D	U	V	AJ	AK	BB	BD	TAP					
SN - 15	A 56C	1½"	1½"	40	167	55	92	15.88	55	149.2	114.3	4	168	11					
	B 143 / 145TC							22.23	56										
SN - 20	A 56C	2"	1½"	52	178	74	131	15.88	55	149.2	114.3	4	168	11					
	B 143 / 145TC				197			22.23	56										
	C 182 / 184TC				215			28.58	75						184.2	215.9	6	230	14
	D 213TC				215			34.93	88						184.2	215.9	6	230	14
SN - 26	A 56C	3"	2"	61	196	72	145	15.88	55	149.2	114.3	4	168	11					
	B 143 / 145TC				215			22.23	56										
	C 182 / 184TC				233			28.58	75						184.2	215.9	6	230	14
	D 213 / 215TC				249			34.93	88						184.2	215.9	6	230	14
	E 254TC				249			41.28	104						184.2	215.9	6	250	14
SN - 28	B 143 / 145TC	1½"	1½"	58	178	107	137	22.23	56	149.2	114.3	4	168	11					
	C 182 / 184TC				197			28.58	75										
	D 213 / 215TC				215			34.93	88						184.2	215.9	6	230	14
	E 254TC				231			41.28	104						184.2	215.9	6	250	14
	B 145TC				22.23			56	149.2						114.3	4	168	11	
SN - 35	C 182 / 184TC	3"	2"	77	220	104	163	28.58	75	149.2	114.3	4	168	11					
	D 213 / 215TC				238			34.93	88						184.2	215.9	6	230	14
	E 254 / 256TC				254			41.28	104						184.2	215.9	6	250	14
	F 284 / 286TSC				266			47.63	98						279.4	317.5	6	280	18
	G 324TSC				266			47.63	98						279.4	317.5	6	340	18
	C 182 / 184TC				200			28.58	75						184.2	215.9	6	230	14
	D 213 / 215TC				218			34.93	88						184.2	215.9	6	230	14
SN - 38	E 254 / 256TC	4"	3"	56	234	98	184	41.28	104	184.2	215.9	6	230	14					
	F 284 / 286TSC				246			47.63	98						279.4	317.5	6	280	18
	G 324 / 326TSC				246			47.63	98						279.4	317.5	6	340	18
	C 182 / 184TC				200			28.58	75						184.2	215.9	6	230	14
	D 213 / 215TC				218			34.93	88						184.2	215.9	6	230	14



The information contained in this brochure is for guidance only. We reserve the right to modify any material or feature without notice in advance. For further information, please, consult our web site. www.inoxpa.com



FTSN.1.EN-1104