



**I Application**

The RV -150 pump is a sanitary helicoidal impeller pump with the capacity of up to 270 m<sup>3</sup>/h. Apart from the standard design, self-priming option is also available, it allows negative suction of liquids with suspended solid particles.

It can be used in the canning industry for the transfer of solids in suspension in water (corn, peas, mushrooms, pieces or whole fruits, etc.), it can also be used in the olive industry to pump olives in brine, etc.

Solid particles suspended in liquid are pumped without being damaged.

**I Operating principle**

The operating principle of the helicoidal impeller pump borrows its characteristics from the mixed flow centrifugal pumps. The impeller has only one vane, it is housed inside the pump casing and rotates in conjunction with the shaft, conveying the kinetic and pressure energy to the liquid. Then, in the volute of the casing the transformation of this energy results in the form of pressure.

**I Design and features**

2-piece casing with volute, manufactured from 8 mm cold formed plate.

Flange connections DIN 2633.

Mechanically balanced helicoidal impeller of double curvature with a single vane.

Sanitary mechanical seal.

Close-coupled pump.

Motor: IEC B35 IP55, F- class insulation.

Bearing support in the lantern.

Maximum diameter of a solid particle Ø 60.

3A certified pump.

**I Materials**

Parts in contact with the product

Bearing support

Other st.st. parts

Gaskets

Mechanical seal

Internal surface finish

External surface finish

AISI 316L

GG-25

AISI 304

EPDM according to FDA 177.2600

SiC/C/EPDM

Ra ≤ 0,8 µm

satin

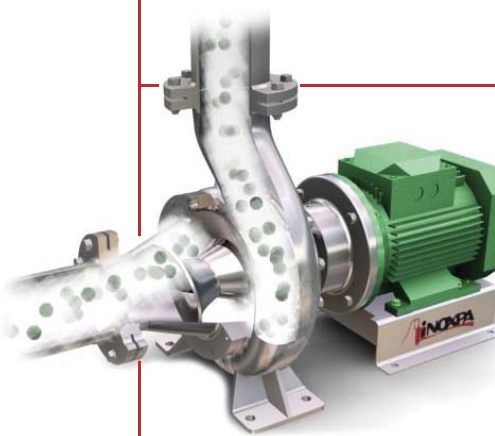
**I Options**

SiC/SiC mechanical seal for abrasive products.

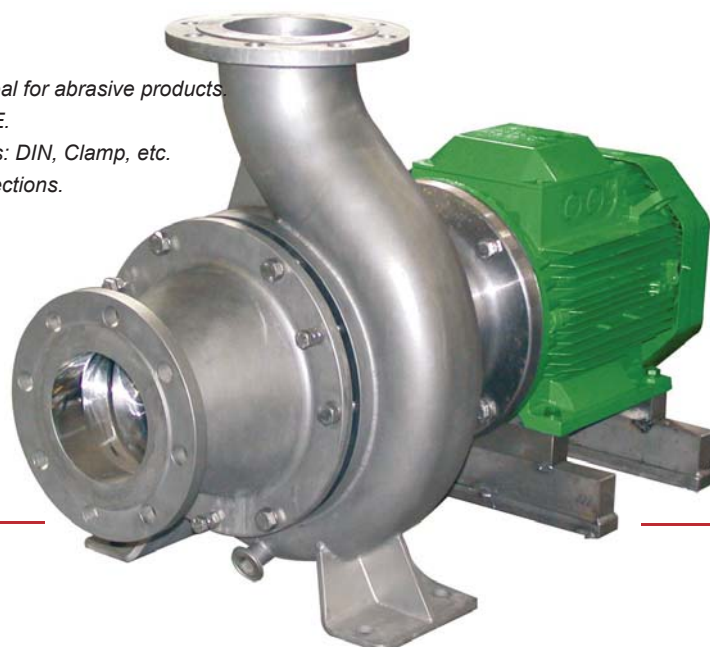
Gaskets: FPM or PTFE.

Other connection types: DIN, Clamp, etc.

Motors with other protections.



Mirror polished impeller

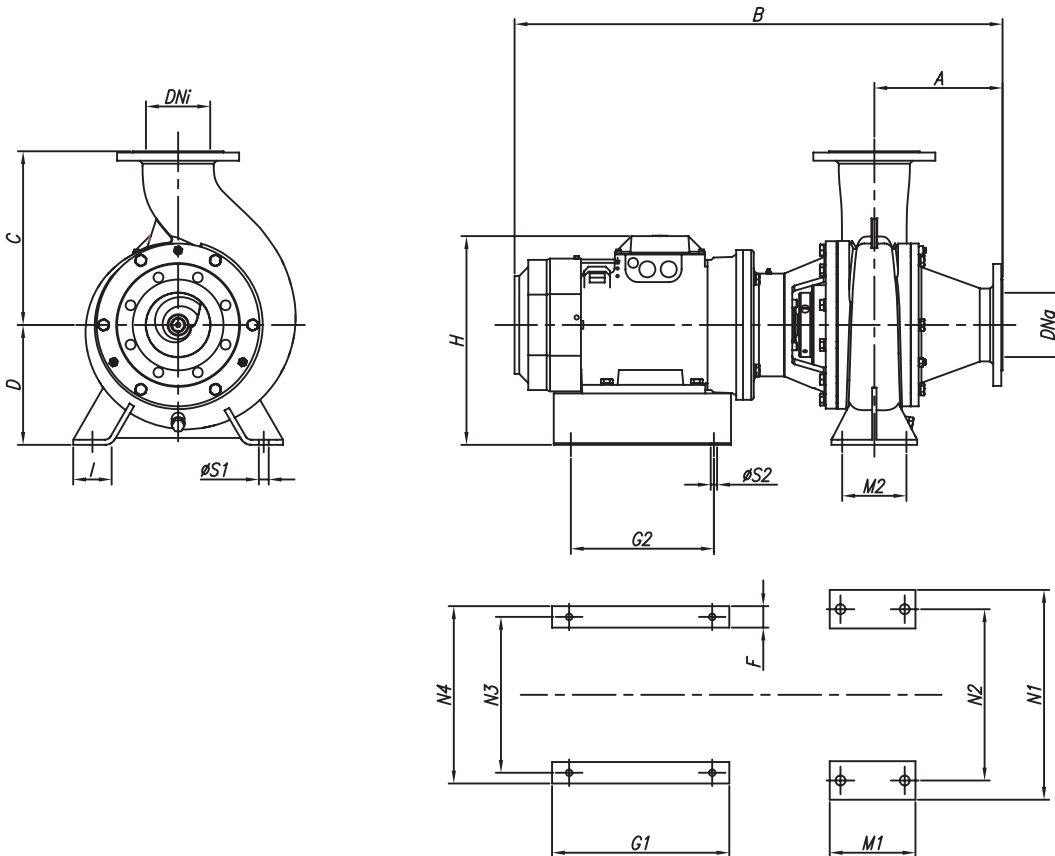


**I Technical specifications**

|                          |                            |                 |
|--------------------------|----------------------------|-----------------|
| Max. flow                | 270 m <sup>3</sup> /h      | 1190 US GPM     |
| Max. differential head   | 36 mwc                     | 118 ft          |
| Max. working pressure    | 10 bar                     | 145 PSI         |
| Max. working temperature | -10 °C to +120 °C (EPDM)   | 14 °F to 248 °F |
|                          | +140 °C (SIP, max. 30 min) | 284 °F          |
| Max. speed               | 1800 rpm                   |                 |



| Type   | Particle Ø [mm] | Power [kW] | Speed [rpm] | Weight [kg] | Code         |
|--------|-----------------|------------|-------------|-------------|--------------|
| RV-150 | 60              | 11         | 1000        | 300         | C5715-096110 |
|        |                 | 15         | 1500        |             | C5715-094150 |



| Type   | DNa<br>DNI | A   | B    | C   | D   | F  | G1  | G2  | H   | I  | M1  | M2  | N1  | N2  | N3  | N4  | S1 | S2 |
|--------|------------|-----|------|-----|-----|----|-----|-----|-----|----|-----|-----|-----|-----|-----|-----|----|----|
| RV-150 | 150        | 299 | 1099 | 405 | 280 | 50 | 414 | 334 | 488 | 90 | 200 | 150 | 490 | 400 | 364 | 414 | 23 | 15 |



The information contained in this brochure is for guidance only. We reserve the right to modify any material or feature without notice in advance. For further information, please, consult our web site. [www.inoxpa.com](http://www.inoxpa.com)

