



### I Applications

The KS/KST/KSF pumps are sanitary progressive cavity pumps. Due to the design, they are self-priming and reversible pumps that can suction from a maximum height of 7 meters. These types of pumps transfer products of low and high viscosity as well as products containing particles.

They are widely used to pump edible oils, wine, concentrates and beverages in general as well as viscous food products such as jam and marmalade, pasta, pâté, melted cheese, etc. In the cosmetics industry, these pumps are used in applications involving various cosmetic products such as soap, gels and creams.

### I Operating principles

Friction between the rotor and the stator creates a vacuum in the inlet area thereby helping the entry of the product into the pump.

The turning motion of the rotor makes the cavities between the rotor and the stator move forward and transport the product to the outlet.

### I Design and features

Bare shaft or close-coupled construction, model with hopper.

EN 12756 L1K single internal mechanical seal.

DIN 11851 standard connections.

Open transmission (hygienic design).

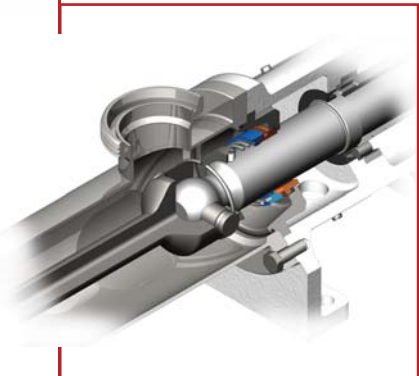
Painted white.

3A certified pump.

Excentric outlet.

### I Materials

Parts in contact with the product	AISI 316L
Other stainless steel parts	AISI 304
Lantern and bearing support	GG-25
Stator	Black NBR (according to FDA 177.2600)
Gaskets	NBR (according to FDA 177.2600)
Mechanical seal	Cer/C/NBR
Internal surface finish	Ra ≤ 0,8µm
External surface finish	bright polish



### I Options

Connections: clamp, flanges, SMS, etc.

Double pressurized mechanical seal.

Packing gland.

Mechanical seals SiC/C and SiC/SiC

Stators in black / white EPDM (according to FDA 177.2600) and white NBR.

Gaskets in EPDM (according to FDA 177.2600).

Heavy-duty transmission.

Steel or stainless steel trolley.

Electrical panel.

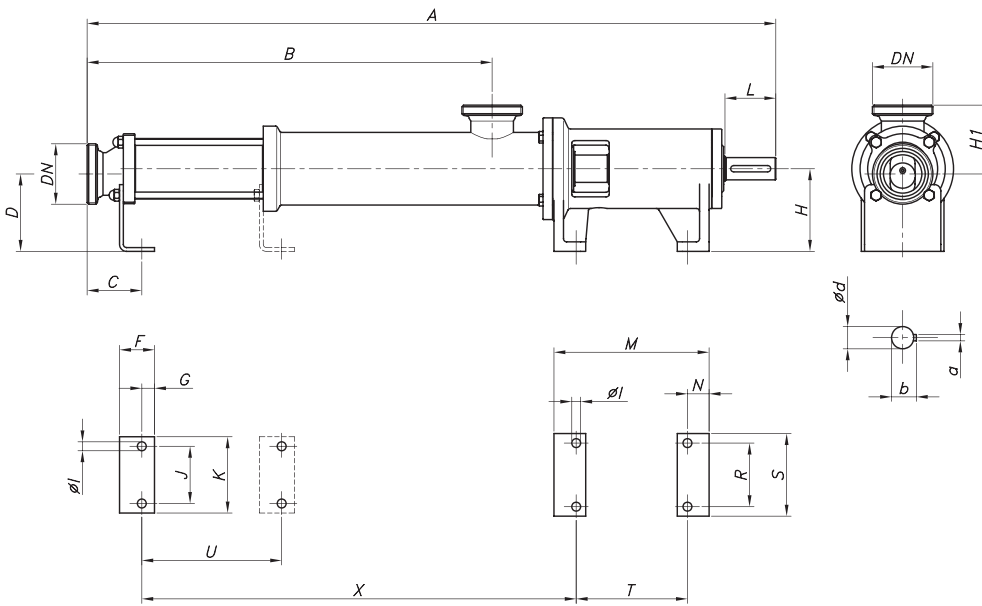
Bypass pressure relief valve.

Cleaning port.



## I Technical specifications

Max. flow	45 m <sup>3</sup> /h	198 US GPM
Max. working pressure	12 bar	174 PSI
Max. working temperature	85 °C (according to the certified quality)	185 °F
Max. speed	1450 rpm	
Max. viscosity	1.000.000 mPa.s	

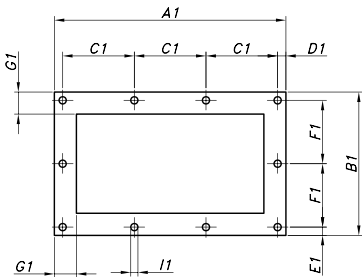
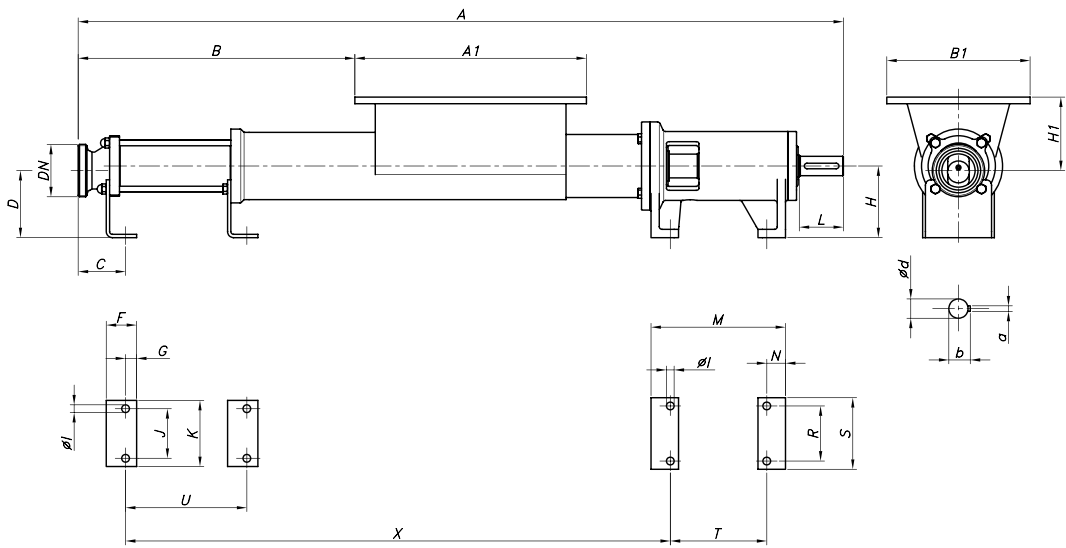


TYPE	DN	d	L	a	b	A	B	C	D	F	G	H	H1	I	J	K	M	N	R	S	T	U	X
KS-20	40	20	50	6	22,5	634	324	57	87	35	12	90	83	11	45	70	179	27	70	100	125	-	356
2KS-20	1½"					734	424															-	456
KS-25	50	25	60	8	27,9	796	439	62	107	40	15	110	93	11	60	90	204	32	90	120	140	-	481
2KS-25	2"					888	531															-	573
KS-30	50	25	60	8	27,9	796	439	62	104	40	15	110	96	11	60	90	204	32	90	120	140	-	481
2KS-30	2"					946	589															-	631
KS-40	65	35	80	10	38,3	1083	637	86	12	55	20	130	108	14	90	120	244	34	100	130	175	-	683
2KS-40	2½"					1273	827															410	873
KS-50	80	35	80	10	38,3	1159	713	105	117	55	20	130	133	14	90	120	244	34	100	130	175	-	740
2KS-50	3"					1413	967															531	994
KS-60	100	48	110	14	51,5	1407	864	99	160	60	20	160	135	18	130	170	271	38	150	190	195	-	937
2KS-60	4"					1707	1164															635	1237
KS-80	100	48	110	14	51,5	1527	984	109	160	60	20	160	135	18	150	190	271	38	150	190	195	-	1047
2KS-80	4"					1927	1384															845	1447



The information contained in this brochure is for guidance only. We reserve the right to modify any material or feature without notice in advance. For further information, please, consult our web site. [www.inoxpa.com](http://www.inoxpa.com)





TYPE	Hopper dimensions							
	A1	B1	C1	D1	E1	F1	G1	I1
KST-20	300	210	70	10	10,5	63	25	10
KST-25	365	250	69	10	10	57,5	30	12
KST-30								
KST-40	420	260	130	15	15	115	40	14
KST-50	585	340	110	17,5	15,5	103	40	14
KST-60								
KST-80								



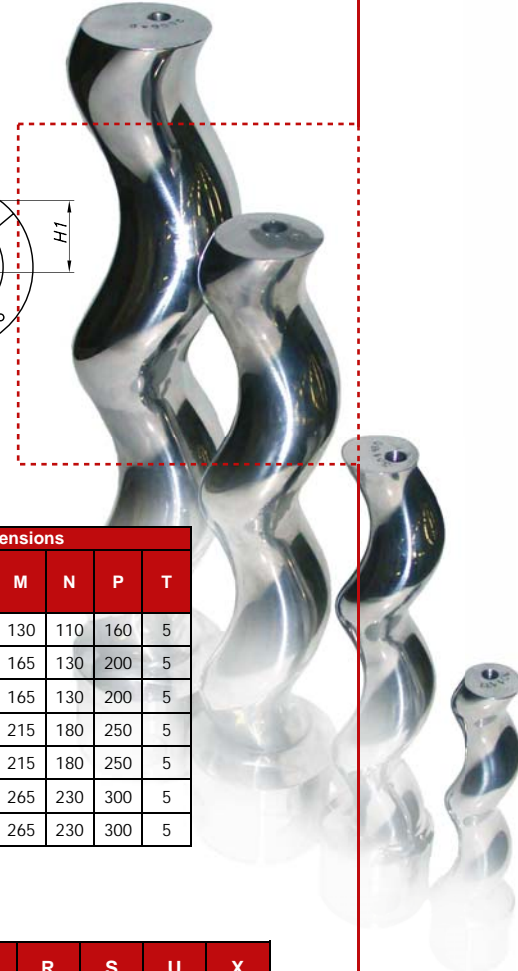
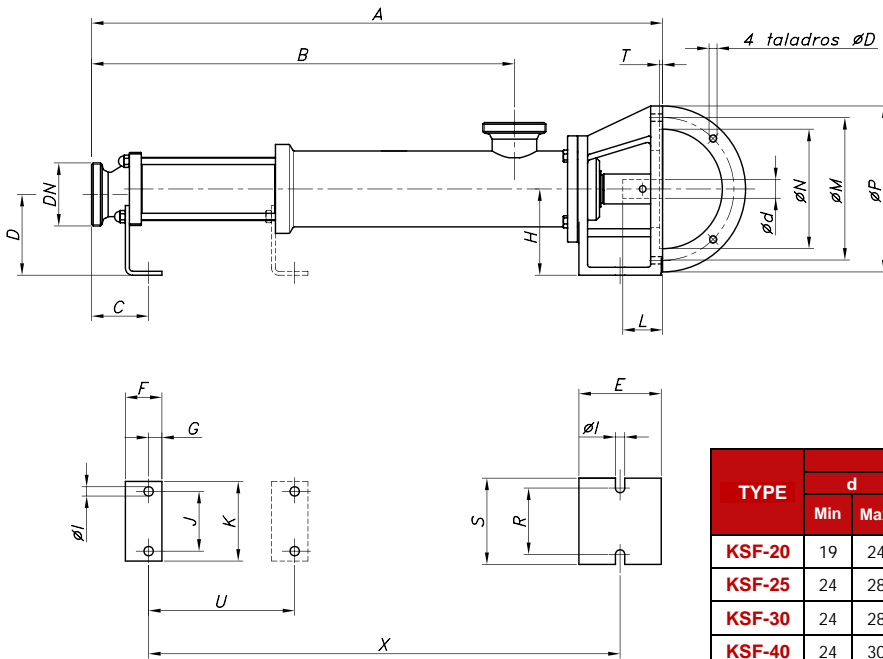
TYPE	DN	d	L	a	b	A	B	C	D	F	G	H	H1	I	J	K	M	N	R	S	T	U	X
KST-20	40	20	50	6	22,5	834	244	57	87	35	12	90	88	11	45	70	179	27	70	100	125	105	556
2KST-20	1 1/2"					934	344															205	656
KST-25	50	25	60	8	27,9	1031	331	62	107	40	15	110	128	11	60	90	204	32	90	120	140	166	716
2KST-25	2"					1123	423															258	808
KST-30	50	25	60	8	27,9	1031	331	62	104	40	15	110	131	11	60	90	204	32	90	120	140	166	716
2KST-30	2"					1181	481															316	866
KST-40	65	35	80	10	38,3	1298	452	86	122	55	20	130	133	14	90	120	244	34	100	130	175	223	898
2KST-40	2 1/2"					1488	642															413	1088
KST-50	80	35	80	10	38,3	1374	528	105	117	55	20	130	138	14	90	120	244	34	100	130	175	280	956
2KST-50	3"					1628	782															534	1209
KST-60	100	48	110	14	51,5	1737	647	99	160	60	20	160	160	18	130	170	271	38	150	190	195	335	1267
2KST-60	4"					2037	947															635	1567
KST-80	100	48	110	14	51,5	1857	767	109	160	60	20	160	160	18	150	190	271	38	150	190	195	445	1377
2KST-80	4"					2257	1167															845	1777



The information contained in this brochure is for guidance only. We reserve the right to modify any material or feature without notice in advance. For further information, please, consult our web site. [www.inoxpa.com](http://www.inoxpa.com)



FTKST.3-EN-0208



TYPE	Drive coupling dimensions								
	d		L		D	M	N	P	T
<b>KSF-20</b>	19	24	42	52	M8	130	110	160	5
<b>KSF-25</b>	24	28	52	62	M10	165	130	200	5
<b>KSF-30</b>	24	28	52	62	M10	165	130	200	5
<b>KSF-40</b>	24	30	52	72	M12	215	180	250	5
<b>KSF-50</b>	24	30	52	72	M12	215	180	250	5
<b>KSF-60</b>	35	42	72	112	M12	265	230	300	5
<b>KSF-80</b>	35	42	72	112	M12	265	230	300	5

TYPE	DN	A	B	C	D	E	F	G	H	H1	I	J	K	R	S	U	X
<b>KSF-20</b>	40	489	324	57	87	101	35	12	90	83	11	45	70	70	100	-	381
<b>2KSF-20</b>	1½"	589	424													-	481
<b>KSF-25</b>	50	623	439	62	107	110	40	15	110	93	11	60	90	90	120	-	504
<b>2KSF-25</b>	2"	715	531													-	596
<b>KSF-30</b>	50	623	439	62	104	110	40	15	110	96	11	60	90	90	120	-	504
<b>2KSF-30</b>	2"	773	589													-	654
<b>KSF-40</b>	65	860	637	86	122	124	55	20	130	108	14	90	120	100	130	-	710
<b>2KSF-40</b>	2½"	1050	827													410	900
<b>KSF-50</b>	80	936	713	105	117	124	55	20	130	133	14	90	120	100	130	-	767
<b>2KSF-50</b>	3"	1190	967													534	1021
<b>KSF-60</b>	100	1119	864	99	160	121	60	20	160	135	18	130	170	150	190	-	958
<b>KSF-80</b>	4"	1239	984			109	121	60	20	160	135	18	150	190	150	190	-



FTKSF3-EN-02-08

