

**I Applications**

The DIN-FOOD pump is a hygienic high capacity centrifugal pump (up to 1000 m<sup>3</sup>/h) designed to cater for an unfulfilled need in the food-processing and chemical and pharmaceutical industries.

Its applications include processes in the brewing, dairy and beverage industries in general, as well as in ultra-filtering processes. It can also be used in the textile industry and in some specific processes in the chemical, cosmetics and pharmaceutical industries.

**I Operating principles**

Housed inside the casing, the impeller rotates in conjunction with the pump shaft.

With this arrangement, the impeller blades convey energy to the fluid in the form of kinetic energy and pressure energy.

This pump is not reversible by a simple reversal of the direction of rotation. The direction of rotation is clockwise when the pump is viewed from the rear side of the motor.

**I Design and features**

Casing with volute manufactured with 8 mm cold-formed plate.

Aseptic flanges according to DIN 11864-2.

Double curvature impeller with blades on the rear side to reduce the axial thrust.

Axial adjustment of the impeller (bare shaft version).

Hygienic mechanical seal.

Fully drainable pump.

Designed according to the 3A and EHEDG standards.

IEC B3 motors (B35 close-coupled constructions), IP 55, F-class insulation.

**I Materials**

Parts in contact with pumped media

AISI 316L

Lantern and bearing support

CF8 / GG-22

Gaskets (standard)

EPDM according to FDA 177.2600

Mechanical seal (standard)

SiC/C/EPDM

Inside surface finish

Ra ≤ 0.8

Outside surface finish

Satin finish

**I Options**

Close-coupled construction for models 250.

Mechanical seal in SiC/SiC for abrasive materials.

Tandem type mechanical seal and pressurized double mehcanical seal.

Gaskets: FPM (Viton®) and PTFE.

Industrial finish (DIN-TEX).

Motor shroud.

Motors with additional protection.

Stainless steel base plate.

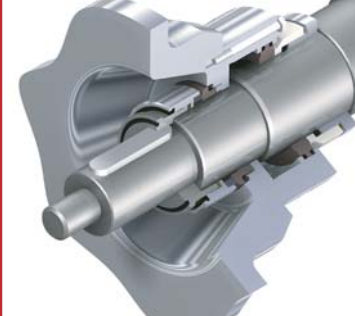
ATEX version available.



Aseptic connections DIN 11864-2

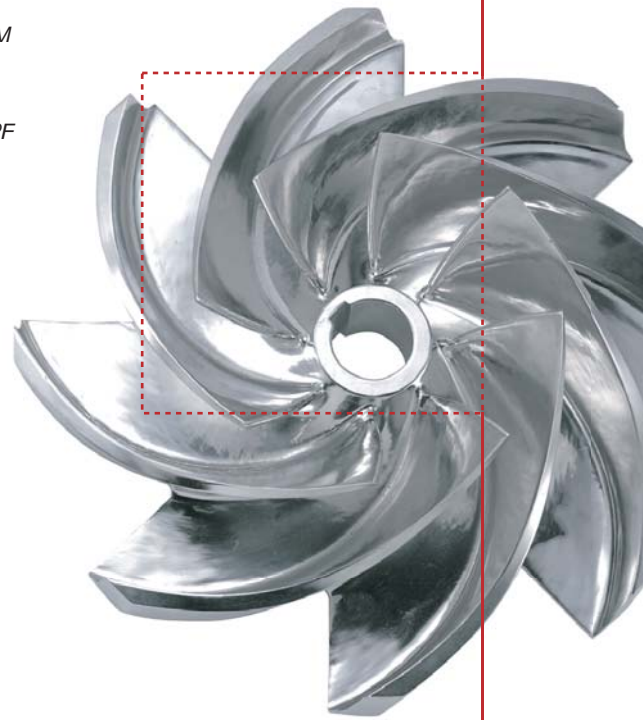
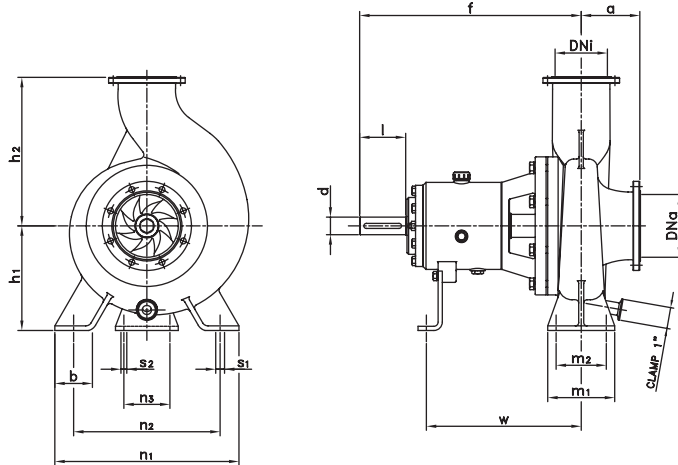


Hygienic mechanical seal

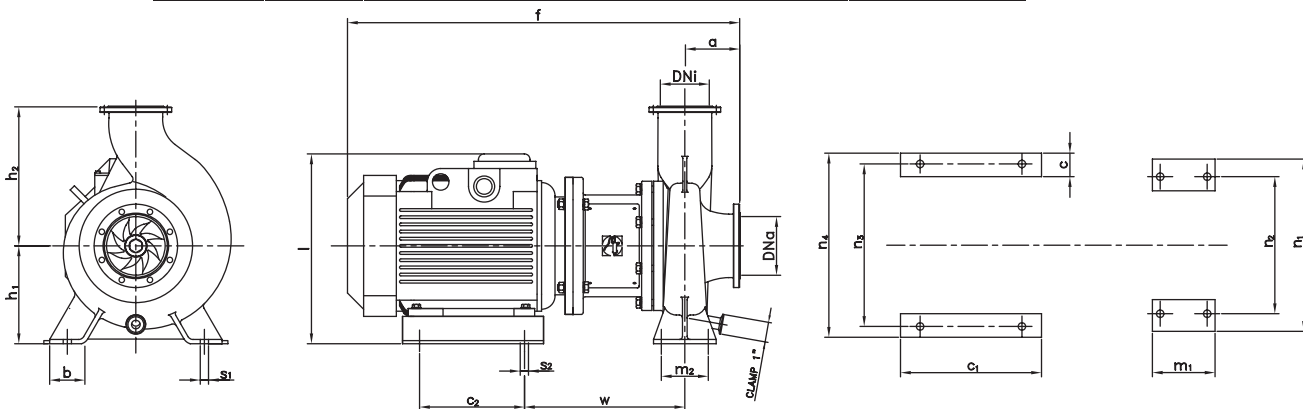


## I Technical specifications

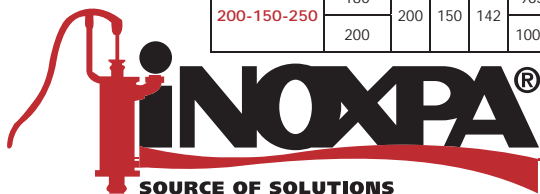
Max.flow	1000 m <sup>3</sup> /h	4403 US GPM
Max.differential height	90 mwc	295 ft
Max.operating pressure	16 bar	232 PSI
Max.working temperature	-10 °C to +120 °C (EPDM)	14 °F to 248 °F
	+140 °C (SIP, max. 30 min)	284 °F
Max.speed	1800 rpm	
	3600 rpm (model 125-100-250/2)	



PUMP TYPE	DNa	DNi	d	l	a	f	h <sub>1</sub>	h <sub>2</sub>	b	m <sub>1</sub>	m <sub>2</sub>	n <sub>1</sub>	n <sub>2</sub>	n <sub>3</sub>	s <sub>1</sub>	s <sub>2</sub>	w
125-100-250	125	100	42	110	121	522	250	316	90	160	120	440	350	110	18	14	363
125-100-315					510	280	352	490				400	350				
125-100-400	150	125	42	110	130	530	250	355	90	160	120	440	350	110	18	14	370
150-125-250					137	280	372	490				400	358				
150-125-315					140	330	422	550				450	358				
150-125-400	200	150	42	110	142	537	250	375	90	200	150	440	350	140	23	18	378
200-150-250					153	280	402	490				400	500				
200-150-315					670	330	452	550				450	498				
200-150-400					667	330	452	550				450	498				



PUMP TYPE	MOTOR	DNa	DNi	a	f	h <sub>1</sub>	h <sub>2</sub>	b	c	c <sub>1</sub>	c <sub>2</sub>	l	m <sub>1</sub>	m <sub>2</sub>	n <sub>1</sub>	n <sub>2</sub>	n <sub>3</sub>	n <sub>4</sub>	s <sub>1</sub>	s <sub>2</sub>	w
125-100-250	160	125	100	121	850	250	316	90	68	360	260	460	160	120	440	350	415	470	18	18	342
	180			930	475																367
150-125-250	160	150	125	128	865	250	355	90	68	360	260	460	160	120	440	350	415	470	18	18	349
	180			945	475																374
200-150-250	180	200	150	142	965	250	375	68	88	400	305	585	210	150	600	545	545	600	23	23	381
	200			1005	340																68



The information contained in this brochure is for guidance only. We reserve the right to modify any material or feature without notice in advance. For further information, please, consult our web site. [www.inoxpa.com](http://www.inoxpa.com)

